

Key Vocabulary

Assembly-diagram	An exploded view diagram of an object, that shows you how to construct an object or order of assembly of various parts.
Automata	Automata toys are sometimes known as mechanical toys or kinetic art. They use hand-powered mechanisms to create movement in a scene of characters.
Axle	In an Automata the axle rotates, turning the cam with it. It is attached to the handle.
Bench hook	A tool which hooks onto the edge of the workbench. It's used to hold woodwork still when sawing.
Clamp	A tool for holding objects together, such as when you are waiting for glue to dry on something that you have glued together.
Cam	A cam is a rotating or sliding piece in a mechanism. It changes rotary motion to linear motion.
Component	One of several parts of which something is made.
Cutting list	An outline drawn true to size on paper, which shows the size and how many of each piece which you need to make for the project.
Dowel	Wood in the shape of a cylinder. Dowels come in all different sizes and thicknesses.
Drill bits	The cutting tools that go in drill to make different sized holes.
Exploded-diagram	A diagram which shows all of the internal and external parts of a product.
Finish	To complete your product with a high quality appearance.
Follower	The post which traces the shape of the cam, rising and falling in a linear or reciprocating motion.
Frame	The rectangular structure which holds the Automata together.
Function	How an object or product operates or works.
Hand drill	A small portable drilling machine for making holes which is operated by hand.
Jelutong	A type of softwood, it is lightweight, easy to cut and shape.
Linkage	A set of bars linked together to form a mechanism.
Mark out	To measure and mark where a piece of material needs to be cut or shaped.
Set square or Engineer's square	A right-angle triangular plate, wood or metal tool used for drawing lines at 90°, 45°, 60°, or 30°.
Tenon saw	A saw with a flat blade, used for cutting wood in straight lines or angles.

Automatas

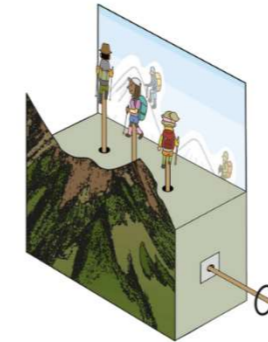
Victorian toys (1837-1901):

Over 120 years ago, toys were expensive and people did not have the luxury of electricity. You might have owned something similar to a rocking horse if you lived in a wealthy family and could visit a toy shop or had a parent with woodworking skills.

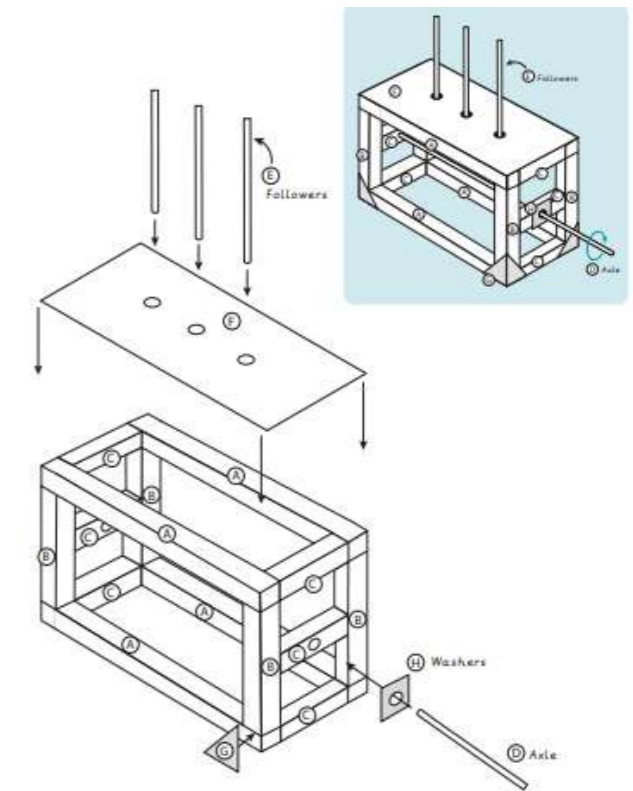


The automata:

A mechanical toy created to mimic movement in a character or object, with a system of cams, axles and followers. They are sometimes called 'mechanical toys' or 'kinetic (moving) art'.



Exploded Diagrams



Experimenting with cams

Cam shapes

Round	Snail	Ellipse
No movement	Drop and climb	Steady up and down

Changing the shape of the cam in your Automata, will create different movements.

Evaluate

Quality of finish: Rating: ☆☆☆☆☆

Accuracy of joints: Rating: ☆☆☆☆☆

Cam function: Rating: ☆☆☆☆☆

Evaluate - say what has gone well and what could be improved.

How much weight can your bridge hold?

What has gone well?

What could be improved?

Cross sectional diagrams

Automata: Cross-sectional diagram

Shows the inner workings and components of products by illustrating what is inside and how it works.

